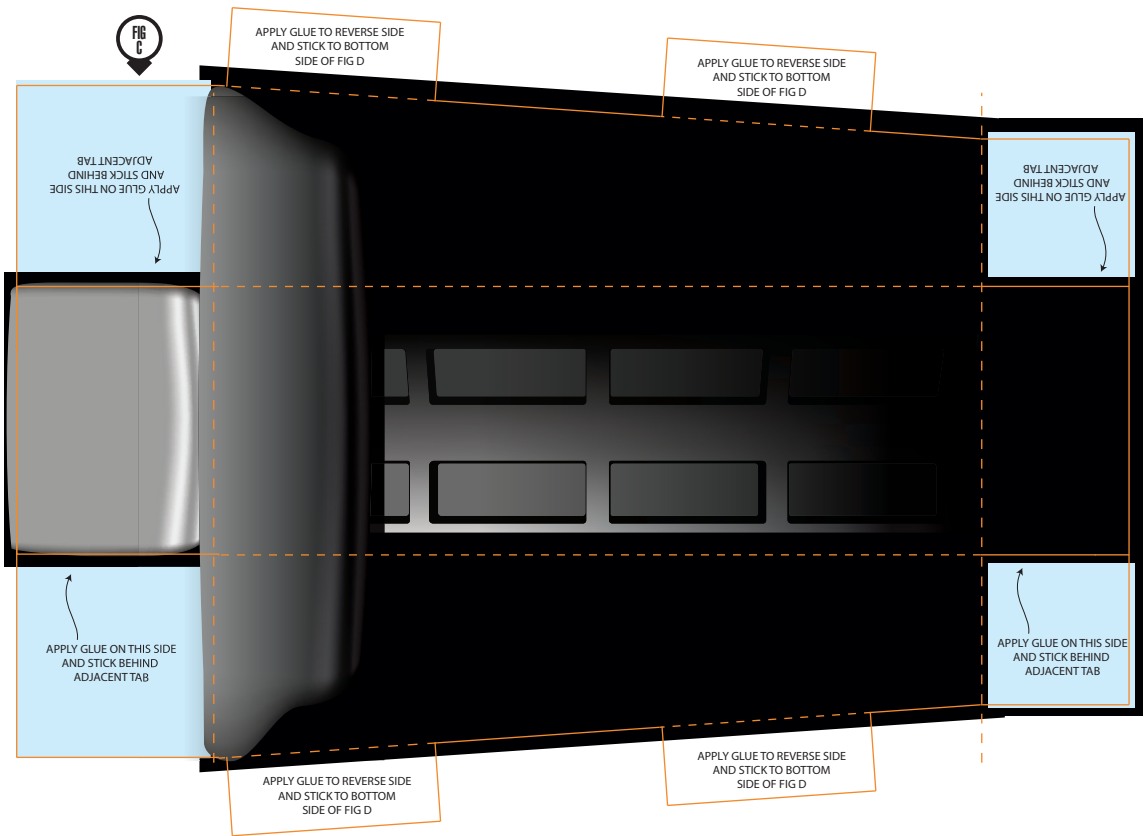
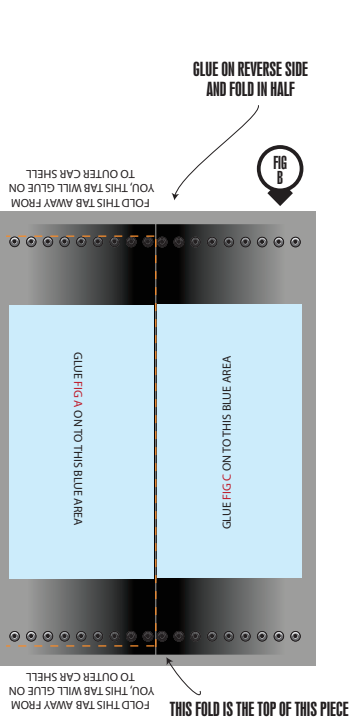
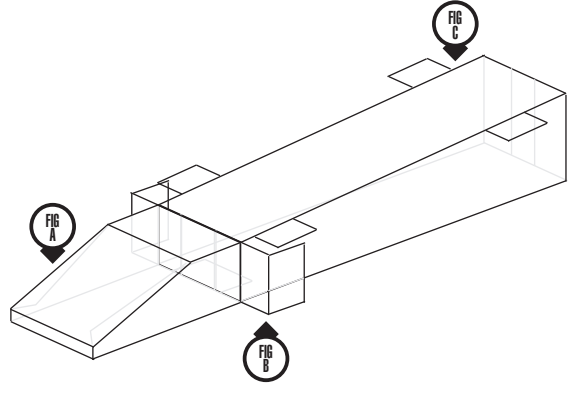
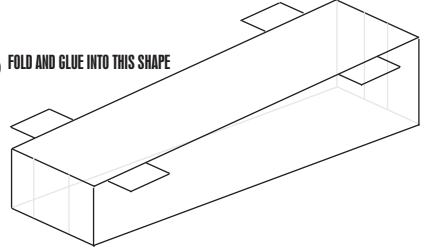
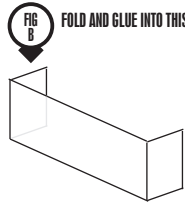
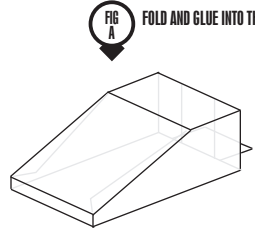
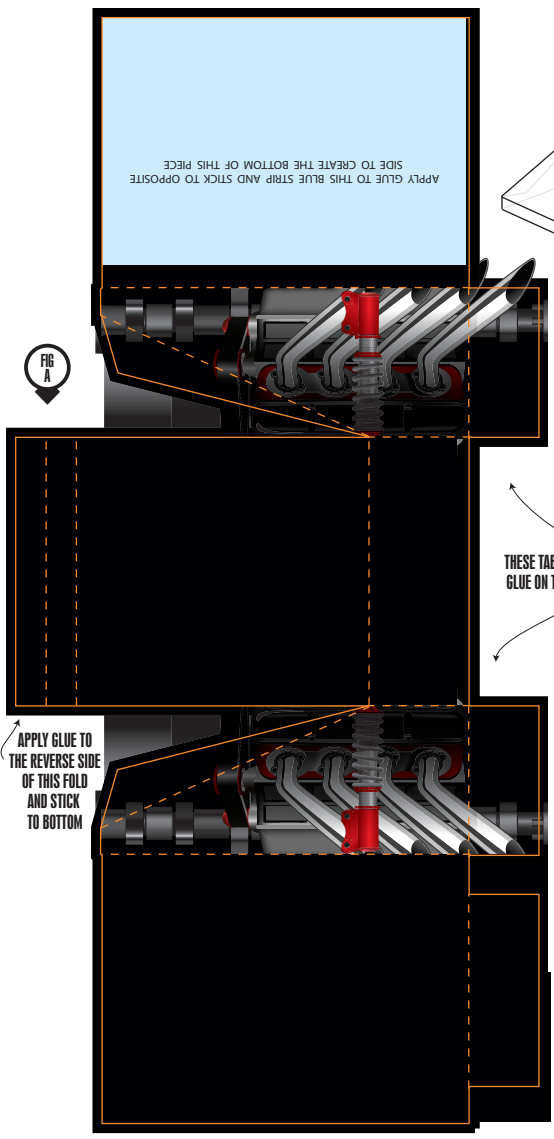
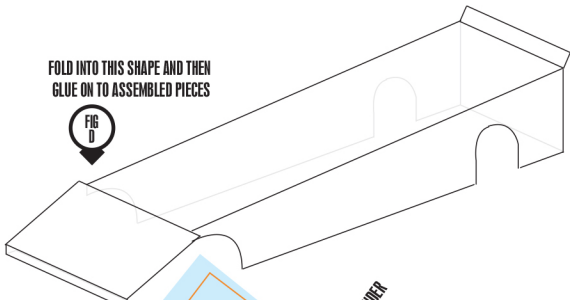


BASIC INSTRUCTIONS PG. 1 of 4

- PRINT OUT
- CUT OUT ALONG SOLID LINES AND THEN FOLD ON DOTTED LINES (XACTO KNIFE WORKS BEST)



FOLD INTO THIS SHAPE AND THEN GLUE ON TO ASSEMBLED PIECES



LUCASOIL.com

FOLD UNDER

FOLD UNDER



APPLY GLUE TO THIS BLUE STRIP AND STICK TO OPPOSITE SIDE TO CREATE THE BOTTOM OF THIS PIECE



GLUE REVERSE SIDE AND STICK UNDER

FOLD DOWN

FOLD UP

GLUE FIG 1 TO THIS BLUE STRIP

GLUE FIG 14 TO THIS BLUE STRIP

GLUE REVERSE SIDE AND FOLD IN HALF AND THEN GLUE TO REAR OF FIG D



FOLD UNDER

LUCAS



LUCASOIL.COM

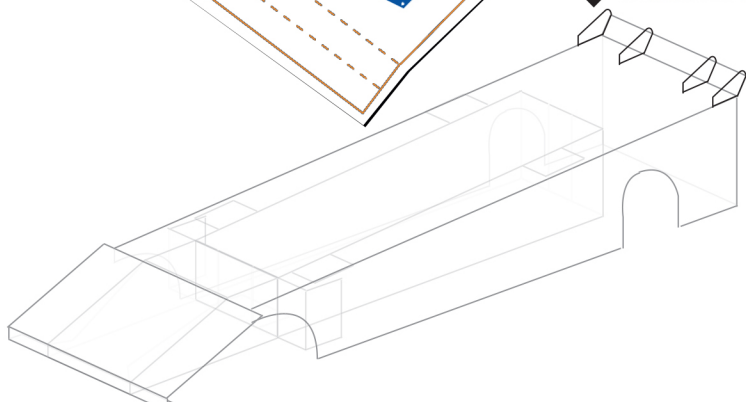
APPLY GLUE TO THE REVERSE SIDE OF THIS FOLD AND STICK TO BOTTOM OF FIG A



APPLY FIG E TO REAR OF FIG D

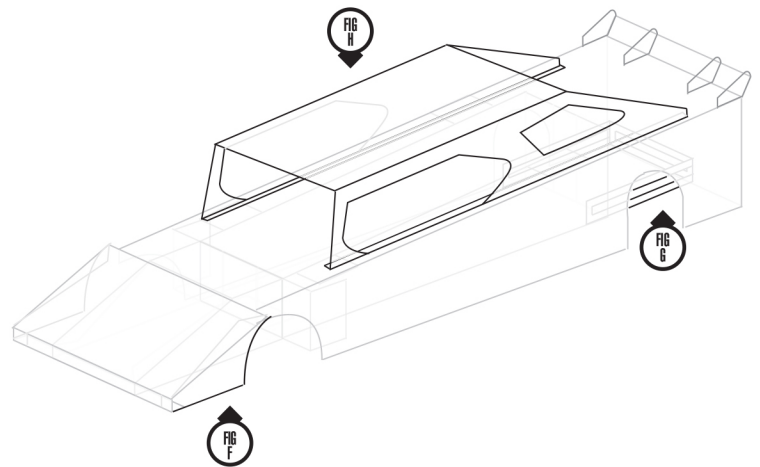
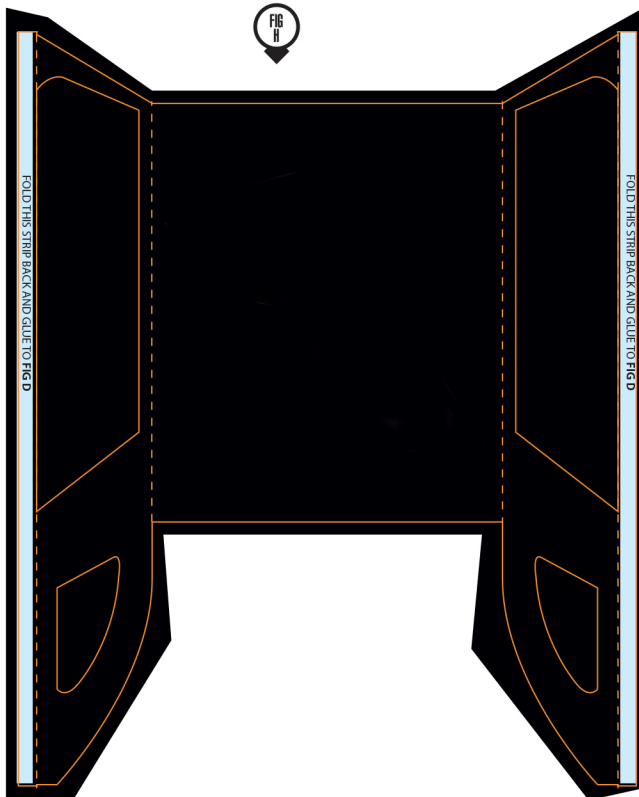
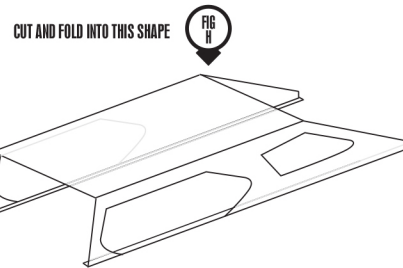
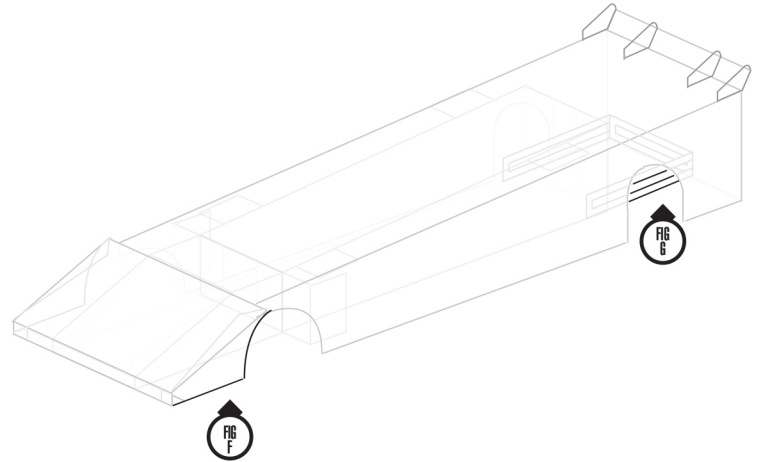
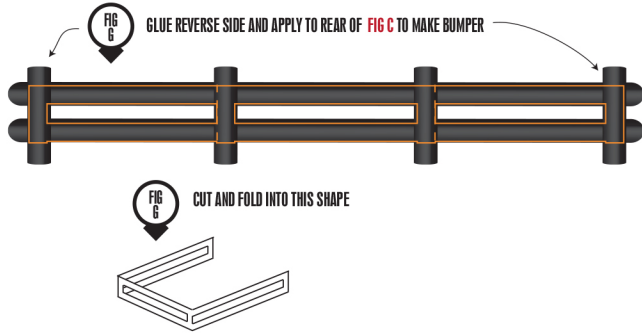
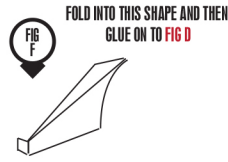
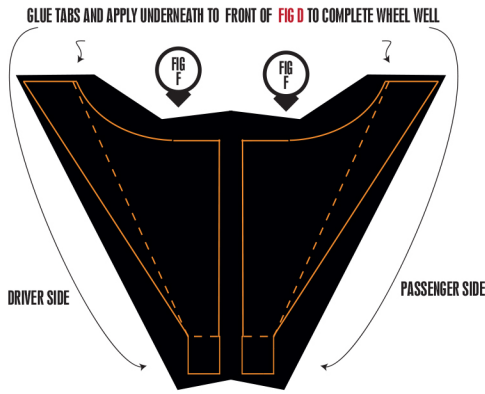
BASIC INSTRUCTIONS PG. 2 of 4

- PRINT OUT
- CUT OUT ALONG SOLID LINES AND THEN FOLD ON DOTTED LINES (XACTO KNIFE WORKS BEST)



BASIC INSTRUCTIONS PG. 3 of 4

- PRINT OUT
- CUT OUT ALONG SOLID LINES AND THEN FOLD ON DOTTED LINES (XACTO KNIFE WORKS BEST)



BASIC INSTRUCTIONS PG. 4 of 4

- PRINT OUT
- CUT OUT ALONG SOLID LINES AND THEN FOLD ON DOTTED LINES (XACTO KNIFE WORKS BEST)

